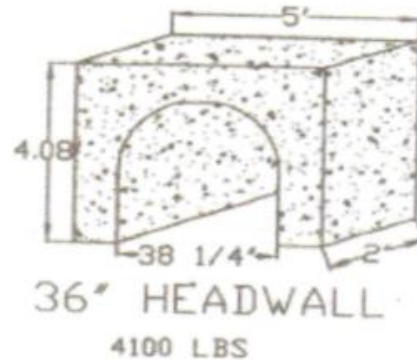
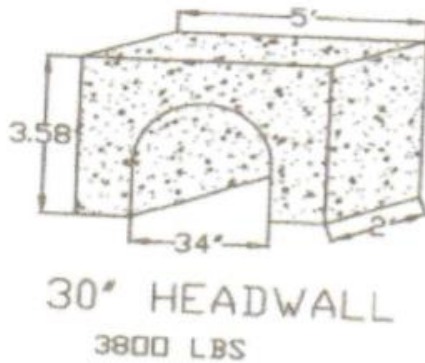
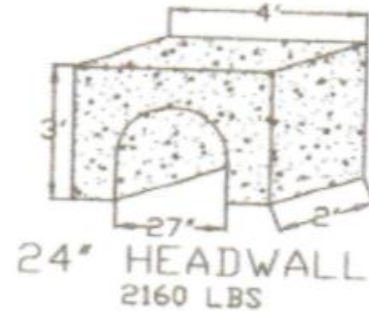
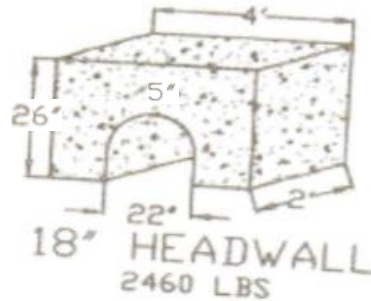
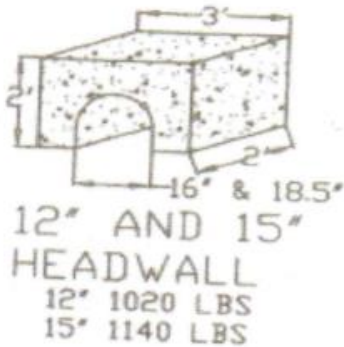


2021 PRICE SHEET FOR HEADWALLS



Custom Mix Concrete, Inc.
Your Full Service Concrete Supplier



SHOWN: 12', 15", 18", 24", 30" & 36" HEADWALLS

4000 PSI CONCRETE WITH REINFORCED BARS. USED FOR PIPE CULVERTS

<u>DIMENSIONS</u>	<u>WEIGHT</u>	<u>PRICE</u>
FITS 12" OR 15" STORM PIPE	1,020 LBS. & 1,140 LBS.	\$ 160.00
FITS 18" STORM PIPE	2,160 LBS.	\$ 200.00
FITS 24" STORM PIPE	2,460 LBS.	\$ 220.00
FITS 30" STORM PIPE	3,800 LBS.	\$ 335.00
FITS 36" STORM PIPE	4,100 LBS.	\$ 405.00

SALES TAX AND DELIVERY CHARGE ADDED TO ABOVE COSTS.

<u>*DELIVERY</u>	<u>HOURLY RATE</u>
BOOM TRUCK	\$100.00 /HR.
TRACTOR TRAILER	\$125.00 /HR.

*Delivery Starts at time of load to time truck gets back to our shop.

CONTACT INFORMATION:

President - John Pipher (607) 481-1222

Sales Representative: Rick Hitchcock (607) 731-9248

Block Shop Manager: Kelly Crane-Donley (607) 769-7833

E-Mail: custommixconcrete@gmail.com

LOCATIONS:

206 W. Water St. Addison, NY 14801 (607) 359-3436

1229 Lowman Road, Lowman, NY 14861 (607) 737-0281